



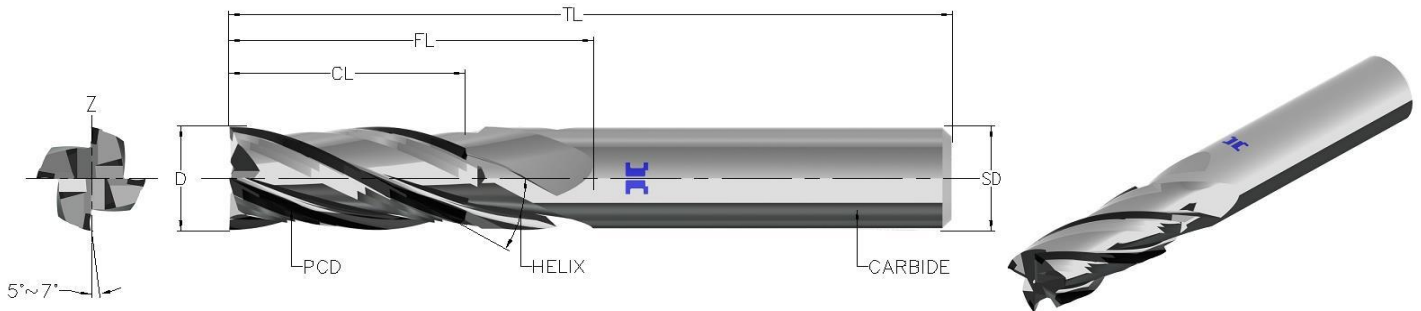
Z-Tec High-Helical PCD End Mill



HALCYON TECHNOLOGY PLC.

41 Moo 14 Bangchan Industrial Estate Soi 6, Serithai Road, Minburi, Bangkok, Thailand 10510

Tel: +66 2 906 3242-50 Fax: +66 2 906 3251 e-mail: sales@halcyon.co.th



Unit: mm

D	CL	FL	TL	SD	Helix Angle	Z
Cutting Diameter (±0.02)	Cutting Length	Flute Length (L2)	Total Length	Shank Diameter (+0/-0.01)		No. of Flutes
8	24	34	80	8	15°	2
8	24	34	80	8	30°	2
8	24	34	80	8	45°	2
8	24	34	80	8	15°	3
8	24	34	80	8	30°	3
8	24	34	80	8	45°	3
8	24	34	80	8	15°	4
8	24	34	80	8	30°	4
8	24	34	80	8	45°	4
10	30	40	80	10	15°	2
10	30	40	80	10	30°	2
10	30	40	80	10	45°	2
10	30	40	80	10	15°	3
10	30	40	80	10	30°	3
10	30	40	80	10	45°	3
10	30	40	80	10	15°	4
10	30	40	80	10	30°	4
10	30	40	80	10	45°	4
12	36	46	80	12	15°	2
12	36	46	80	12	30°	2
12	36	46	80	12	45°	2
12	36	46	80	12	15°	3
12	36	46	80	12	30°	3
12	36	46	80	12	45°	3
12	36	46	80	12	15°	4
12	36	46	80	12	30°	4
12	36	46	80	12	45°	4
12	36	46	80	12	15°	5
12	36	46	80	12	30°	5
12	36	46	80	12	45°	5

Any Special Available Upon Request

D	CL	FL	TL	SD	Helix Angle	Z
Cutting Diameter (±0.02)	Cutting Length	Flute Length (L2)	Total Length	Shank Diameter (+0/-0.01)		No. of Flutes
14	42	52	80	14	15°	2
14	42	52	80	14	30°	2
14	42	52	80	14	45°	2
14	42	52	80	14	15°	3
14	42	52	80	14	30°	3
14	42	52	80	14	45°	3
14	42	52	80	14	15°	4
14	42	52	80	14	30°	4
14	42	52	80	14	45°	4
14	42	52	80	14	15°	5
14	42	52	80	14	30°	5
14	42	52	80	14	45°	5
16	48	58	100	16	15°	3
16	48	58	100	16	30°	3
16	48	58	100	16	45°	3
16	48	58	100	16	15°	4
16	48	58	100	16	30°	4
16	48	58	100	16	45°	4
16	48	58	100	16	15°	5
16	48	58	100	16	30°	5
16	48	58	100	16	45°	5
16	48	58	100	16	15°	6
16	48	58	100	16	30°	6
16	48	58	100	16	45°	6
18	54	64	100	18	15°	3
18	54	64	100	18	30°	3
18	54	64	100	18	45°	3
18	54	64	100	18	15°	4
18	54	64	100	18	30°	4
18	54	64	100	18	45°	4
18	54	64	100	18	15°	5
18	54	64	100	18	30°	5
18	54	64	100	18	45°	5
18	54	64	100	18	15°	6
18	54	64	100	18	30°	6
18	54	64	100	18	45°	6

D	CL	FL	TL	SD	Helix Angle	Z
Cutting Diameter (±0.02)	Cutting Length	Flute Length (L2)	Total Length	Shank Diameter (+0/-0.01)		No. of Flutes
20	60	70	100	20	15°	4
20	60	70	100	20	30°	4
20	60	70	100	20	45°	4
20	60	70	100	20	15°	5
20	60	70	100	20	30°	5
20	60	70	100	20	45°	5
20	60	70	100	20	15°	6
20	60	70	100	20	30°	6
20	60	70	100	20	45°	6
20	60	70	100	20	15°	7
20	60	70	100	20	30°	7
20	60	70	100	20	45°	7
22	66	76	100	22	15°	4
22	66	76	100	22	30°	4
22	66	76	100	22	45°	4
22	66	76	100	22	15°	5
22	66	76	100	22	30°	5
22	66	76	100	22	45°	5
22	66	76	100	22	15°	6
22	66	76	100	22	30°	6
22	66	76	100	22	45°	6
22	66	76	100	22	15°	7
22	66	76	100	22	30°	7
22	66	76	100	22	45°	7
22	66	76	100	22	15°	8
22	66	76	100	22	30°	8
22	66	76	100	22	45°	8
25	75	85	100	25	15°	4
25	75	85	100	25	30°	4
25	75	85	100	25	45°	4
25	75	85	100	25	15°	5
25	75	85	100	25	30°	5
25	75	85	100	25	45°	5
25	75	85	100	25	15°	6
25	75	85	100	25	30°	6
25	75	85	100	25	45°	6
25	75	85	100	25	15°	7
25	75	85	100	25	30°	7
25	75	85	100	25	45°	7
25	75	85	100	25	15°	8
25	75	85	100	25	30°	8
25	75	85	100	25	45°	8